



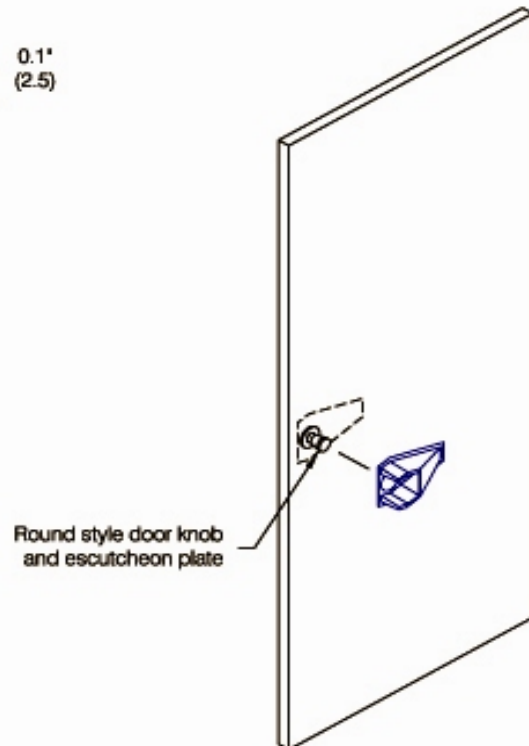
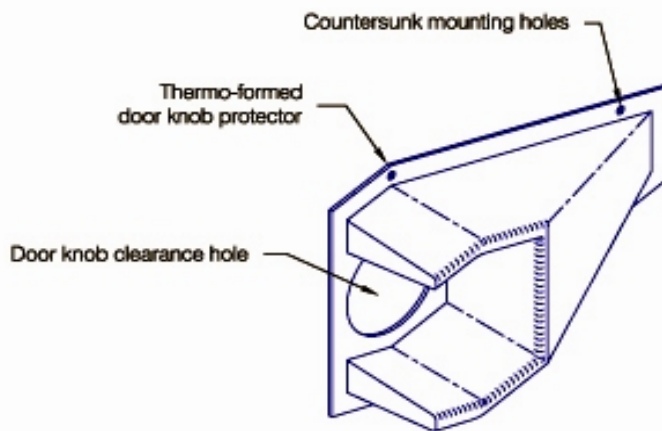
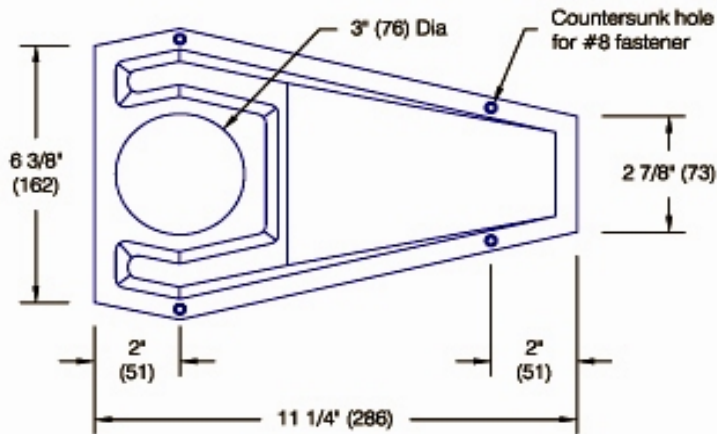
AMERICAN FLOOR PRODUCTS COMPANY, INC.

AFCO-USA

P.O. BOX 7055 • Gaithersburg, Maryland 20898 -7055 • 301-987-0490 • Fax 301-987-0422
email: sales@afco-usa.com • Web Site: www.afco-usa.com

CUSTOMER P.O. #

CAPRICORN® Door Knob Protector (EW-2640)



CAPRICORN® Door Knob Protector (EW-2640)

Profile	Application	Shock Absorbing	ADA Compliance	Materials	Flammability & smoke developed (ASTM E-84)
Flat	High abuse	10-15 ft.lbs./in. ASTM D-256	Yes	Vinyl	Class A

Testing in accordance with NFPA 255 (ASTM E-84):

Class A Flame Spread Index: 5
 Smoke Developed Index: 185

<p>Features:</p> <ul style="list-style-type: none"> • Class A fire rating • Vacuum formed from heavy gauge rigid vinyl sheet • NFPA-252 (UL10b) approved for use on 90 minute wood and 180 minute steel fire rated door assemblies 	<p>Finishes:</p> <ul style="list-style-type: none"> • Manufacturer's standard colors • Custom colors available <p>Mounting Options:</p> <ul style="list-style-type: none"> • Drilled: Countersunk holes for #8 x 3/4" (19 mm) oval head sheet metal screw
--	---

Meteorite designs conform to OSHA, ANSI Life Safety, NFPA, BOCA, UBC, BOMA, ICBO, SBCCI, American Disabilities Act Accessibility Guidelines and all National Building /Code requirements.

JOB NAME:	ITEMS	QUANTITY
JOB NUMBER:	Size:	
CONTRACTOR:	Color:	
ARCHITECT:	Drilled:	
DEALER NAME:		
APPROVED BY:	Date:	